

SolarCleano

developed by cleaners

Technical Data Sheet SolarCleano M1

April 2024

ZARO 2-4 rue Gustave Loosé,

L-8346 Grass - Luxembourg

T: +352 288 069 - info@solarcleano.com

Description

The SolarCleanso M1 is a compact and efficient solution for cleaning solar panels and canopies. It has been developed so that a person can set it up and fully control it.

- The SolarCleanso M1 can be dismantled into 3 parts, each part weighing less than 26.46 lb. The assembly is designed to be simple with few intermediate steps.
- The robot operates on a battery and is controlled from the ground via remote control.

The SolarCleanso M1 is effective on all types of solar panels or glass and is guaranteed for 12 months. The M1 is designed for smaller solar installations and glass canopies.

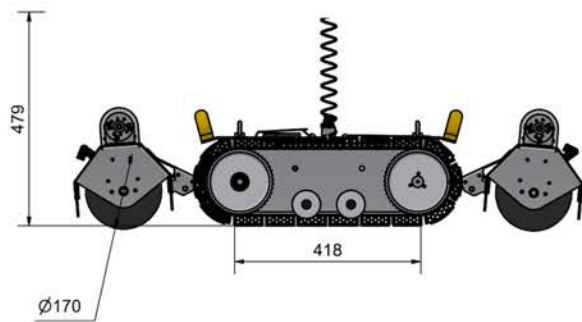
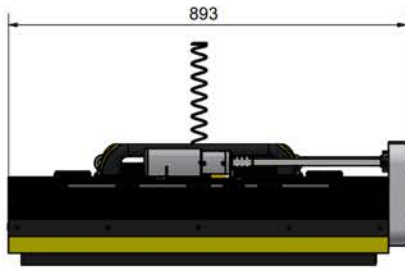
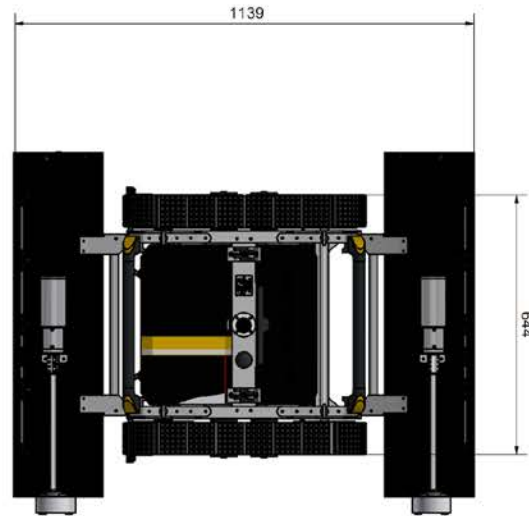
- The size of the brushes (31.50 in) allows for thorough cleaning. To further improve the efficiency of the brushes, they are made up of 2 types of fibre and have a helicoidal shape, leaving no trace behind them.
- It can perform both wet and dry cleaning.



Dimensions & Brushes

Chassis Dimensions

44.84 x 35.16 x 18.86 in



Brushes

Brush length
Brush diameter
Brush rotation speed
Motor

31.50 in
6.69 in
180 RPM
DC Brush

Types of Bristles

Soft



Standard



Hard



Very Hard



Other Technical Features

Weight

| | |
|-----------------|----------|
| Without brushes | 59.52 lb |
| With 1 brush | 70.55 lb |
| With 2 brushes | 81.57 lb |

Movement system

| | |
|-------------------|--------------------|
| Speed | Up to 98.43 ft/min |
| Cleaning capacity | 107.64 sqft/min |
| Climbing capacity | 18° (32%) |

Battery

| | |
|------------------|-----------------------------|
| Type | Batt Lithium Ion 24V – 20Ah |
| Autonomy | 3h |
| Charger capacity | 7A |
| Charging time | 4h |

Remote control

| | |
|---------------------------|-----------|
| Frequency | 2.4 GHz |
| Autonomy | 24h |
| Max. distance | 218.72 yd |
| Protection rating (water) | IP65 |

Options

| | |
|----------------|-----|
| Water cleaning | Yes |
| GPS tracker | Yes |

Water

| | |
|---------------|-------------------------|
| Consumption | 3.17 gal/min on average |
| Pressure | Max. 5 bar |
| Hose Diameter | Min. 0.39 in |